

## Application and Removal of the

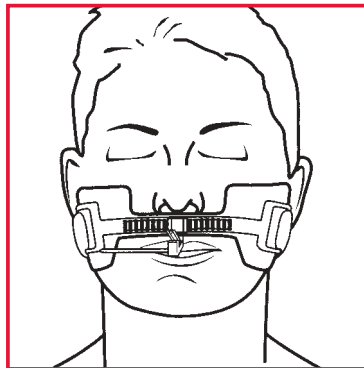


# Hollister Oral Endotracheal Tube Attachment Device

The Hollister Oral Endotracheal Tube Attachment Device, used for securing oral endotracheal tubes without the need for tape. It protects the skin from irritation and minimises the possibility of pressure sore formation. FITS SIZES 15 - 30 FRENCH

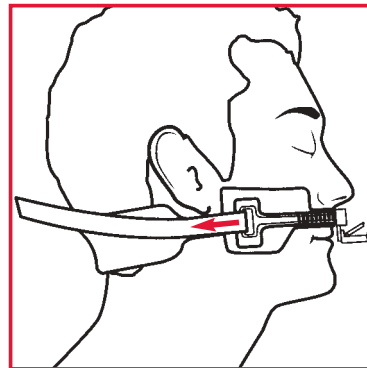
### PREPARING THE SKIN

Before applying the device, the patient's cheeks should be clean, dry and free of oily or soapy residue. Male facial hair should be removed. Remove the release liner from the skin barrier.



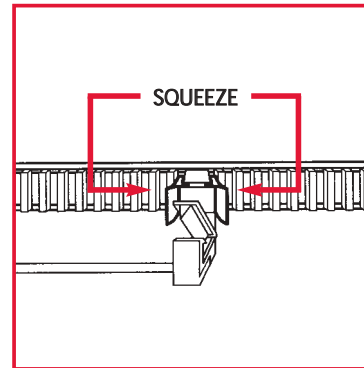
#### 1. Applying the Track

Centre the device on the patient's upper lip. The clamping mechanism should be positioned approximately 1.2cm below the lip. Press the barrier on the patient's cheeks and hold it in place for 30 seconds (until it adheres well).



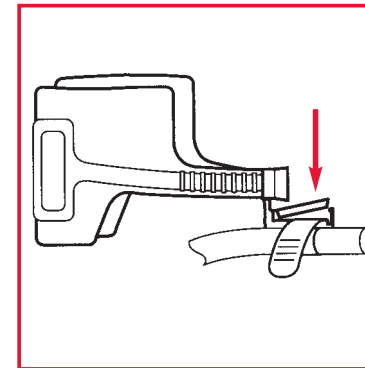
#### 2. Applying the Neck Band

Secure the neck band by inserting the narrow end of the band through the plastic loop on the track. Fasten the strap to the neck band using the hook and loop closure. For greater comfort and security, adjust the straps on either side.



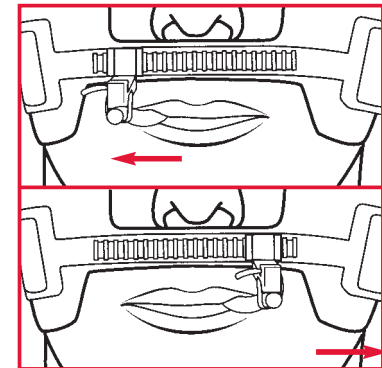
#### 3. Securing the Tube

Squeeze the tabs on the outer edges and move it along the track to a location above the tube. Remove the release liner from the strap, exposing the adhesive. Wrap the adhesive strap tightly around the tube, and pull the remaining portion of the strap through the clamp.



#### 4.

Secure the strap by snapping the clamp shut (an audible click will be heard).



#### 5.

To reposition the tube, squeeze the tabs on the outer edges and move in either direction along the track. **Clinical practice guidelines recommend repositioning endotracheal tubes to prevent injury to the lips and underlying tissues due to unrelieved pressure.**

### REMOVAL

Release the clamp holding the flexible strap in place and carefully unwrap the adhesive strap from around the tube. Release the neck band by unfastening the hook and loop closures, then remove the skin barrier by gently peeling it away from the patient's skin.

**PRECAUTIONS:** After application of the E-TAD, check the patient frequently to ensure that both the E-TAD and the endotracheal tube are secure and in the correct position. Patients without teeth or unable to wear upper dentures may lack the maxillary support required to use the E-TAD. Repeated adjustment of the endotracheal tube in a distal or proximal direction may affect the performance of the adhesive strap.